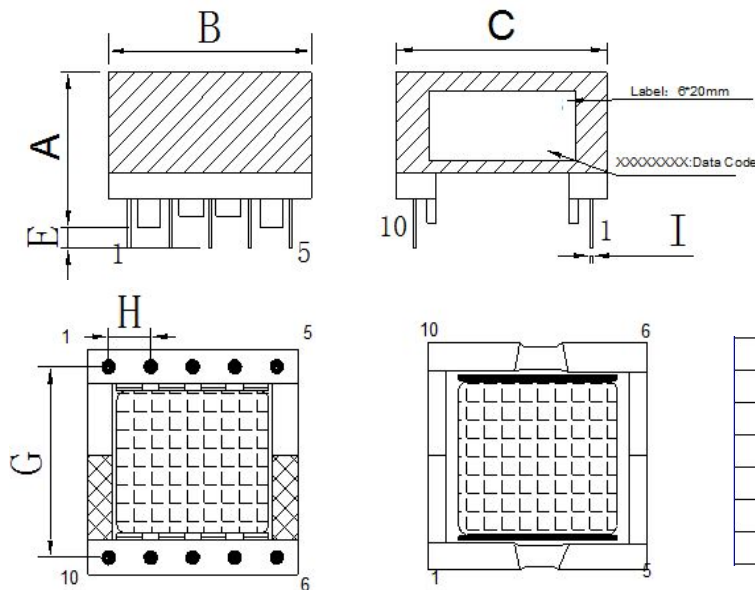


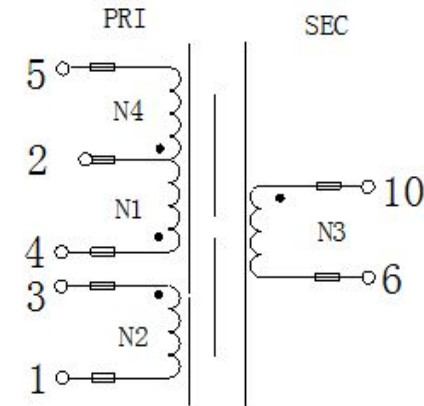
CUSTOMER TERMINAL	ROHS	Lead(Pb)-free
	YES	YES

## 1. Mechanical Dimensions



A	16.0	MAX
B	26.5	MAX
C	26.5	MAX
E	3.5	±0.5
G	22.5	±0.4
H	5.0	±0.3
I	0.8	±0.1

## 2. Schematic Diagram



## 3. Material List

Core:FW44 EFD25/25/9

Bobbin:FWB2506(5+5PIN)

Wire:2UEW TIW

Operating Temperature: -30 to115 °C

## 4. Electrical Specification

Inductance :  $L(4-5):1.2\text{mH}\pm 5\%$  40KHZ , 1.0V

Leakage Inductance : 15uH MAX 40KHZ , 1.0V

DCR :  $(4-5)=3.0\Omega$  MAX  $(10-6)=147\text{m}\Omega$  MAX

Hi-Pot:P-S: AC 60Hz 4000V 1mA 3S

S-CORE: AC 60Hz 4000V 1mA 3S

REV.	DATE	<p>Convention Placement</p>	DRW.		Drawing Title:	Part No:
0	00/00		CHK.			
ROHS			<a href="http://www.ferriwo.com">www.ferriwo.com</a>	APP.		Customer P/N